

LED Adjustable Down Light

Key Features:

- Using OSRAM 15W OSTAR LED, can provide color temperature of 2700K-6500K of high brightness white light
- Using custom design lens, can provide 16 deg and 36 deg Beam angle
- Provide 1-10V dimming interface, 5%-100% dimming capable
- IP20, suitable for indoor applications
- External constant current source power supply, eliminate power supply fluctuation problem

Material:

Body: Aluminum

Frame: Die cast aluminum

Heat Sink: Aluminum

Dimming power supply casing: Plastic

Light Source:

OSRAM OSTAR



Control specifications:

Input: 100-240VAC 50/60Hz

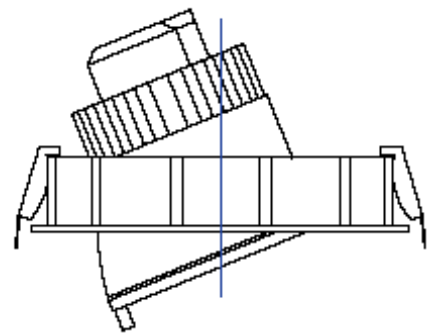
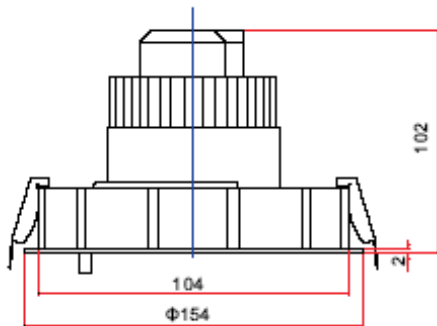
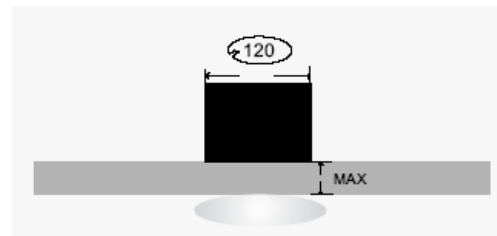
Output: 700mA constant current

Dimming control: 1-10V dimming control interface input option

Dimming rate: 5%-100% dimming

Installation specifications:

100-240VAC input, standard L, N, PE lines



Ordering Guide

Part No.	LED	Description	Color Temp.	Color rendering	Operating current(mA)	Luminous flux (Lumens)	Ordering code
DDL-L-ADJ-15W/50-W DIM	LEWE3B/ LECWE3B	15W LED adjustable downlight, 36 deg beam, AC input, 1-10V dimming interface	4500K-5000K Cool white	80	700	500-600	10118501-1
			5500K Day light			500-600	10118501-2
			6500K Day light			600-700	10118501-3
DDL-L-ADJ-15W/50-S DIM	LEWE3B/ LECWE3B	15W LED adjustable downlight, 16 deg beam, AC input, 1-10V dimming interface	4500K-5000K Cool white	80	700	500-600	10118601-1
			5500K Day light			500-600	10118601-2
			6500K Day light			600-700	10118601-3
DDL-L-ADJ-15W/27-W DIM	LECWE3B	15W LED adjustable downlight, 36 deg beam, AC input, 1-10V dimming interface	2700K warm white	80	700	400-450	10118701-1
			3000K warm white			450-500	10118701-2
DDL-L-ADJ-15W/27-S DIM	LECWE3B	15W LED adjustable downlight, 16 deg beam, AC input, 1-10V dimming interface	2700K warm white	80	700	400-450	10118801-1
			3000K warm white			450-500	10118801-2
DDL-L-ADJ-15W/50-W	LEWE3B/ LECWE3B	15W LED adjustable downlight, 36 deg beam, AC input	4500K-5000K Cool white	80	700	500-600	10118901-1
			5500K Day light			500-600	10118901-2
			6500K Day light			600-700	10118901-3
DDL-L-ADJ-15W/50-S	LEWE3B/ LECWE3B	15W LED adjustable downlight, 16 deg beam, AC input	4500K-5000K Cool white	80	700	500-600	10118101-1
			5500K Day light			500-600	10118101-2
			6500K Day light			600-700	10118101-3
DDL-L-ADJ-15W/27-W	LECWE3B	15W LED adjustable downlight, 36 deg beam, AC input	2700K warm white	80	700	400-450	10118201-1
			3000K warm white			450-500	10118201-2
DDL-L-ADJ-15W/27-S	LECWE3B	15W LED adjustable downlight, 16 deg beam, AC input	2700K warm white	80	700	400-450	10118301-1
			3000K warm white			450-500	10118301-2