

## LED Standard Lamps – 7W white Outdoor Spot – Spike Lamp

The LED Spot-Spike lamp can replace halogen MR16 type Spot-Spike lamp in general lighting in shops, outdoor land scalping – Trees, plants illumination, signs etc. It produces less heat and very low power consumption brings great benefits to the users and the environment.

### Key Features:

- Uses OSRAM Golden Dragon Plus, high lumen output LED
- Using specific lens, it's able to provide 15°, 30° or 60° beam which is similar to halogen lamps
- Color temperature from 3000K and 6500K, more choices for users
- Build-in 700mA constant current source, DC24V input Power supply
- Die-casting aluminum lamp body, excellent heat dissipation structure
- Rated IP65 for outdoor application
- Base can be replaced by spike or disc mounting

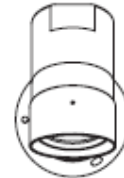
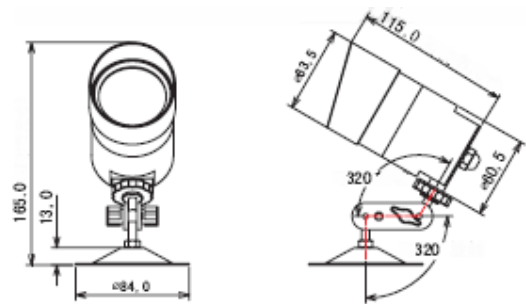
### Material:

Body: Die cast aluminum

Lens: Optical grade PMMA

### Light source:

OSRAM Golden Dragon PLUS



### Ordering Guide

Part No.	LED	Base	Beam angle	Color Temp.	Color rendering	Ordering code
7W Spot /60/N	Dragon Plus	Disc	15	6500	80	
7W Spot /60/M	Dragon Plus	Disc	30	6500	80	
7W Spot /60/W	Dragon Plus	Disc	60	6500	80	
7W Spike /60/N	Dragon Plus	Spike	15	6500	80	
7W Spike /60/M	Dragon Plus	Spike	30	6500	80	
7W Spike /60/W	Dragon Plus	Spike	60	6500	80	
7W Spot /30/N	Dragon Plus	Disc	15	3000	80	
7W Spot /30/M	Dragon Plus	Disc	30	3000	80	
7W Spot /30/W	Dragon Plus	Disc	60	3000	80	
7W Spike /30/N	Dragon Plus	Spike	15	3000	80	
7W Spike /30/M	Dragon Plus	Spike	30	3000	80	
7W Spike /30/W	Dragon Plus	Spike	60	3000	80	