

Underwater Projector – SFLED Hyled

Compact underwater projector for lighting pools, fountains and water sprays. Uses OSRAM high efficient LED Golden Dragon or OSTAR.

Key Features:

- Integral constant current source
- External power supply and controller
- Sealed to IP68

Materials:

Body: Copper
 Glass: Tempered glass
 Bracket: Copper

Light source:

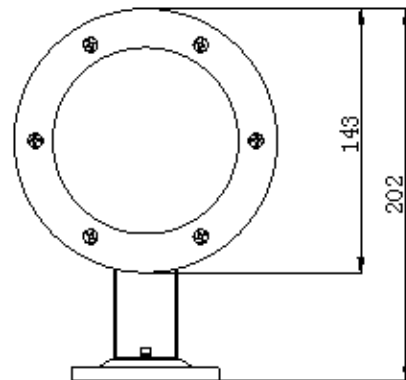
LED: OSRAM Golden Dragon
 warm / cool white, red, yellow, blue, amber, green



OSRAM OSTAR
 white, color temperature range: 2700K-6500K



Surface mounting



Installation:

Surface mounting (with bracket) or recessed mounting (with housing). External rubber coated wire, DMX input signal for color changing.

Ordering Guide

Part No.	LED Type	Description	Ordering code
Hyled 2GD-RGB	OSRAM Golden Dragon R,G,B	Underwater luminaire with 2 groups of OSRAM 1W R,G,B LED, power > 6W, DC 24V input, DMX signal input	10090101
Hyled 1 OSTAR	OSRAM OSTAR	Underwater luminaire with 1 piece of OSRAM OSTAR 15W white LED, power > 15W, DC 24V input	10091101